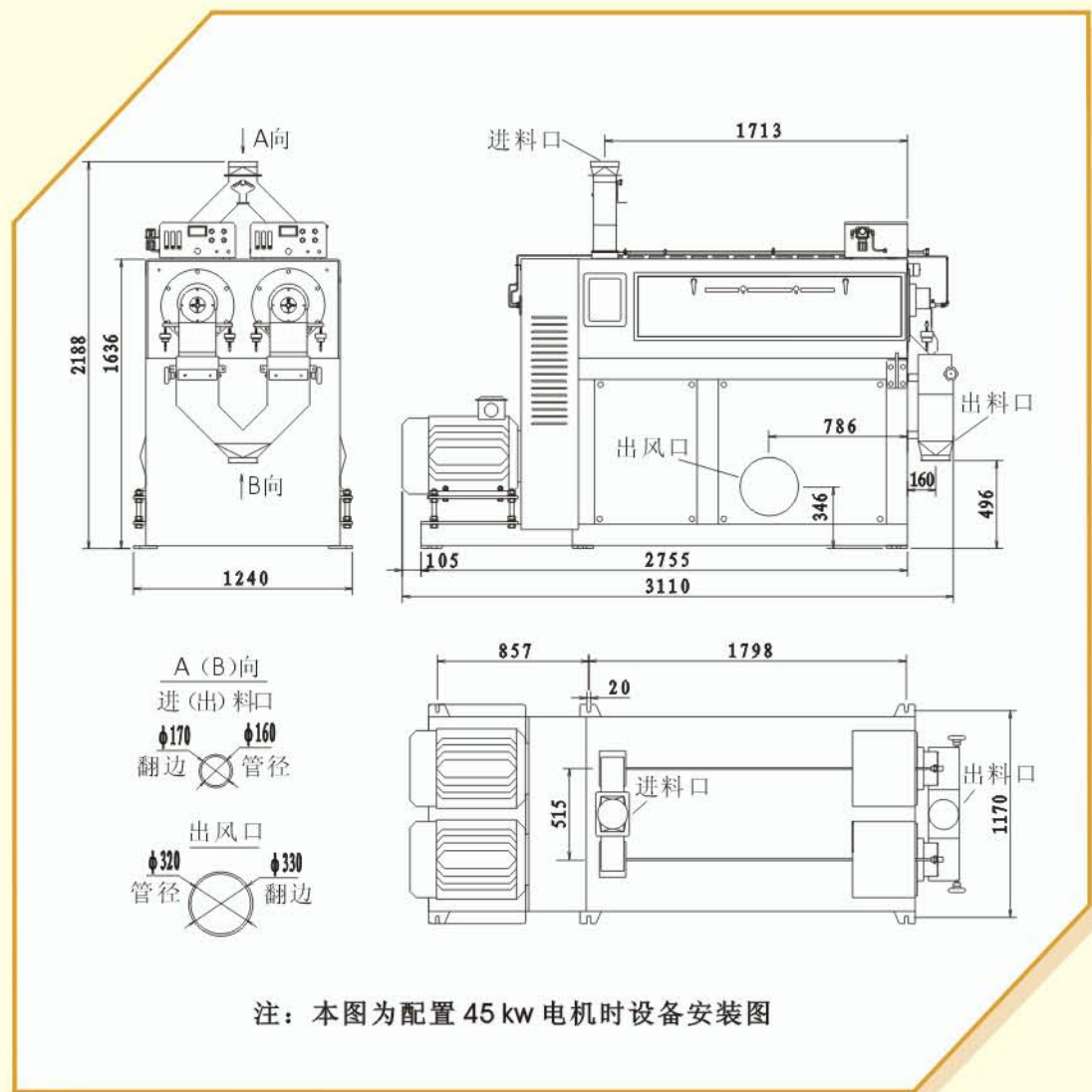


外形尺寸与地脚安装图 OVERALL DIMENSION



主要技术参数 MAIN TECHNICAL DATA

型号Type	CM5000SX2L
处理量Output (t/h)	单机 (6-8) 多机串抛 (8-10)
主机动力Power (kw)	90-110
主轴转速Rotary speed (rpm)	750-850
负压 Negative pressure (mmH ₂ O)	300-350
风量Air volume (m ³ /min)	65-70
机重Weight (kg) (含45kw电机)	2730

通过ISO9001国际标准质量体系认证

E-mail: yongxiangmiji@sohu.com http://www.hbyxlj.com

地址：湖北省安陆市府河大道8号

ADD: 8 FUHE AVE. ANLU CITY, HUBEI, CHINA

电话(TEL): 0712-5254443 5254445 5258762 传真(FAX): 0712-5254443 邮编(POSTCODE): 432600

CM5000SX2L 双辊大米抛光机

RICE POLISHER

二台合一
省地又省钱

抛光零件为
食品级不锈钢

单机产量大
8-10吨/小时



湖北永祥粮食机械股份有限公司

HUBEI YONGXIANG FOOD PROCESSING MACHINE CO., LTD.

CM5000S×2L

双辊大米抛光机

DOUBLE ROLLS RICE POLISHER

用途简介 USE INTRODUCTION

CM5000S×2L 双辊大米抛光机是永祥集多年生产研发抛光机的专业技术和经验，融合现代大米抛光要求光洁、白亮的新理念，精心打造的新型双辊大米抛光机。

该机为双辊水平并联结构方式，双电机，单个抛光辊可以独立操作，集中风网系统（带关风器），同时，均匀进料，均匀出料，产量大（单机抛光可达6-7吨/小时，多机串抛可达8-10吨/小时）、结构紧凑（二台合一）、占地面积小，适合加工不同粒型籼稻粳稻，特别适合我国东北地区大型米厂大产量的要求，该机操作方便、性能稳定且坚固耐用，是现代品牌化、规模化米业公司理想的更新换代产品。



光滑耐磨的抛光辊



智能电流表与流量计



便于更换的筛托架



进口负压表

CM5000S × 2L double rolls rice polisher is a new type product integrated years of professional technology and experience in R & D and production and modern new notion of polishing of bright and white. Equipped with double rolls of parallel structure, dual motors, a single polishing roll can operate independently. The machine features centralized exhaust system(with airlock), meantime, feeding and discharging evenly, big capacity (6 - 7 tons / hour for one machine while 8-10 tons / hour for multi-machine), compact structure(Two in one) and covering small required area. It is suitable processing different grains like round-grained rice and long-shaped rice, especially for large output requirement of large-scale rice mills in Northeast China. Easy to operate, stable and durable, the machine is ideal replacement for branding, modernized large-scale rice company.

特点 FEATURE

- 占地面积小，二台合一，省地又省钱。
- 产量大，单机抛光6-7吨/小时，多机抛光8-10吨/小时。
- 抛光系统零件全部采用食品级不锈钢精心制造，既卫生，又耐用（寿命提高二倍以上），抛光后的大米洁白光亮，符合现代大米抛光新理念。
- 适合长粒米和短粒米抛光，对于我国东北各季大米抛光，既能长期稳定生产，又能减少米糠球（建议客户在抛光后安排筛选米糠球和色选并肩米糠球工艺）。
- 该机可以根据客户对产量的不同要求，配备功率不同的电机，有45kw和55kw两种配备。

- Two in one, saving space and money
- Large yield, single machine: 6-7 tons / hour, multi-machine: 8-10 tons / hour.
- Polishing parts are made of the food-grade stainless steel, safe sanitation and durable (more than twice of useful life). Polished rice become white and light, in accord with a new concept to modern rice polishing.
- Suitable for long-grain rice and short-grain rice polishing. For the rice of each season in Northeast China, it can maintain long-term stable production and reduce the rice bran. (suggestion: an arrangement for sieving and color sorting rice bran after polishing)
- The machine is equipped with motors either 45kw or 55kw according to the different requirements of production from customers.

风网系统 EXHAUST SYSTEM

